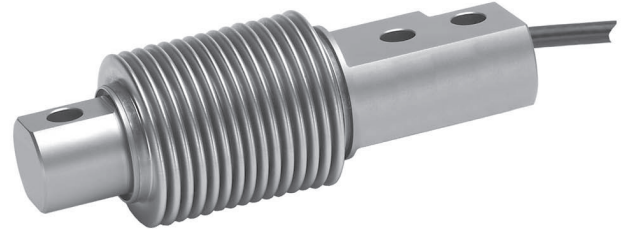


# Bending Beam

## Type Series FSB38



### Features:

- Measuring range from 10 kg to 500 kg
- Stainless steel construction
- Simple force introduction
- Inexpensive price
- Simple installation
- Very low installation height
- Protection class IP68

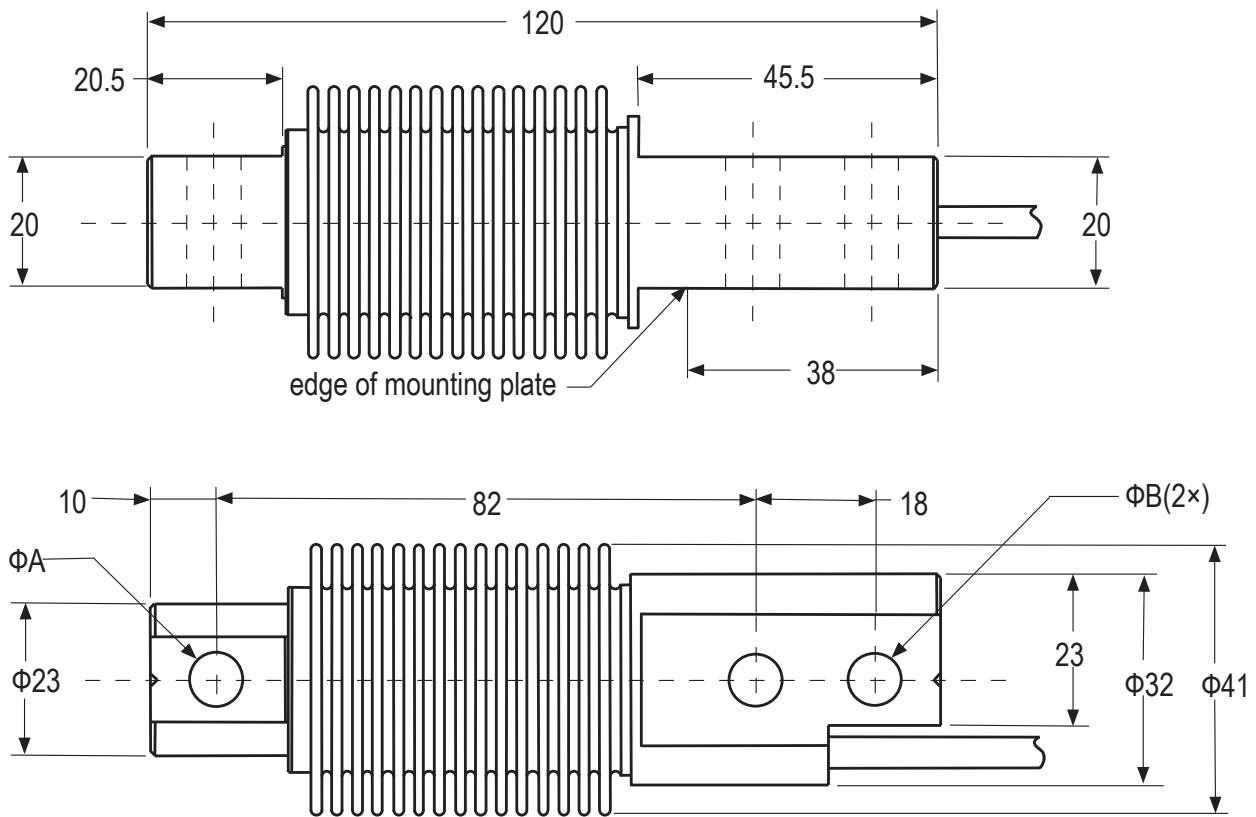
### Applications:

- Plant engineering
- Force measurement
- Laboratory, post and analysis scales
- Environment engineering
- Measurement and inspection equipment
- Test benches and production lines

### Technical data:

Maximum capacity	kg	10 / 20 / 50 / 100 / 200 / 250 / 500
Temperature effect on minimum dead load output	% FS / 10°C	≤ ± 0.0400      ≤ ± 0.0140
Temperature effect on sensitivity	% FS / 10°C	≤ ± 0.0200      ≤ ± 0.0100
Combined error	% FS	≤ ± 0.0500      ≤ ± 0.0200
Non-linearity	% FS	≤ ± 0.0400      ≤ ± 0.0166
Hysteresis	% FS	≤ ± 0.0400      ≤ ± 0.0166
Creep error (30 minutes)	% FS	≤ ± 0.0600      ≤ ± 0.0166
Rated output	mV/V	2 ± 0.1%
Zero balance	%	≤ ± 5
Excitation voltage	% FS	5 ... 15
Input resistance	Ω	380 ± 10
Output resistance	Ω	350 ± 3
Insulation resistance (100 V DC)	MΩ	≥ 5000
Safe load limit	% FS	200
Ultimate load	% FS	300
Safe side load	% FS	100
Compensated temperature range	°C	-10 ... +40
Operating temperature range	°C	-40 ... +80
Load cell material		stainless steel 17-4 PH
Protection according EN 60 529		IP68 (up to 2 m water depth)

**Dimensions:**



Max. Capacity	A	B	Mounting bolts	Torque*
10 ... 250 kg	8.2	8.2	M8 8.8	25 Nm
500 kg	10.5	8.2	M8 10.9	35 Nm

\* Torque values assume oiled threads.

**Electrical connections:**

